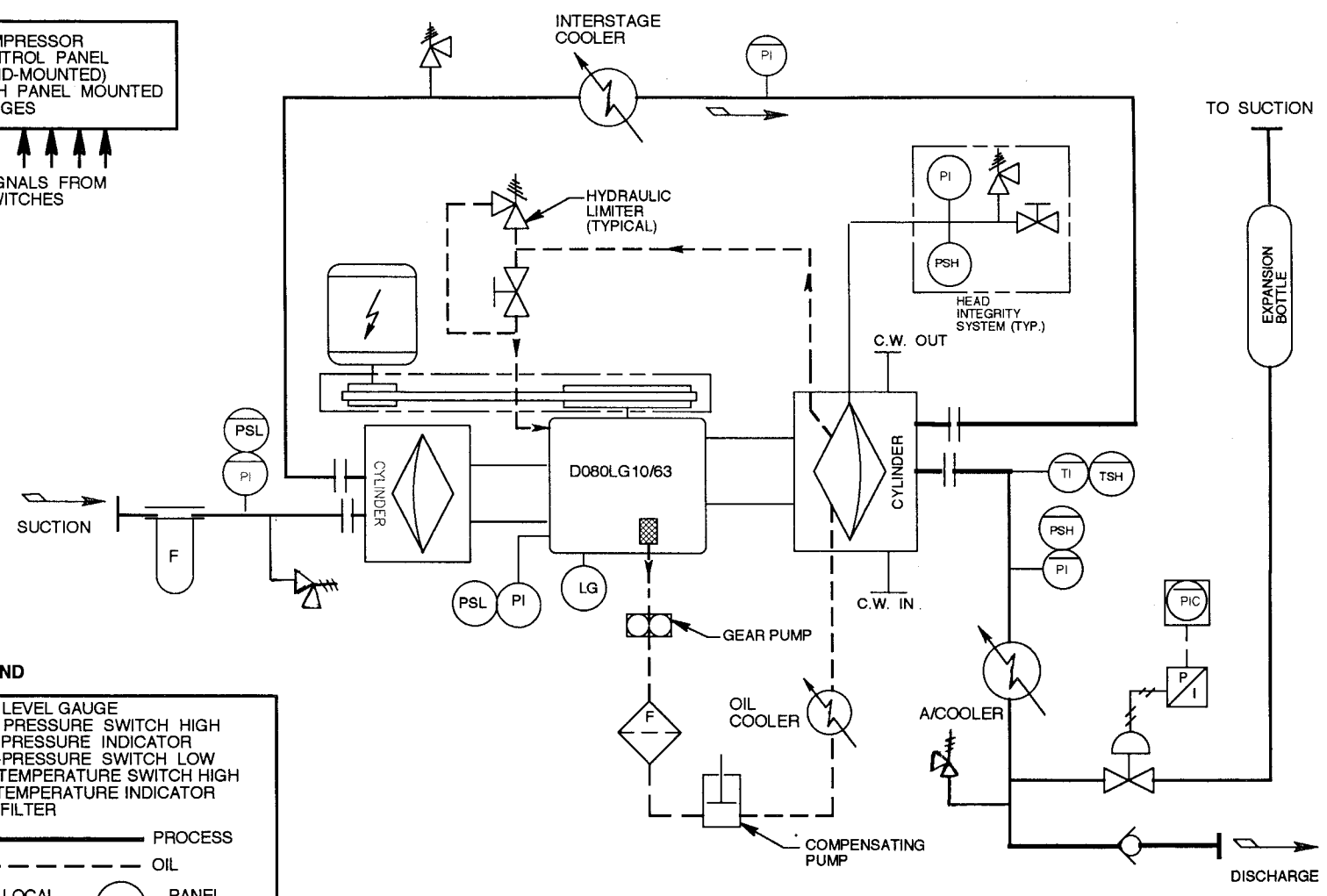


COMPRESSOR CONTROL PANEL (SKID-MOUNTED) WITH PANEL MOUNTED GAUGES

SIGNALS FROM SWITCHES

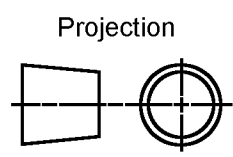


LEGEND

- LG --- LEVEL GAUGE
- PSH --- PRESSURE SWITCH HIGH
- PI --- PRESSURE INDICATOR
- PSL --- PRESSURE SWITCH LOW
- TSH --- TEMPERATURE SWITCH HIGH
- TI --- TEMPERATURE INDICATOR
- F --- FILTER
- PROCESS
- - - - - OIL
- LOCAL MOUNT
- ◐ PANEL MOUNT

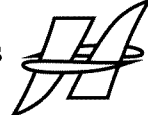
This drawing and all information contained therein is strictly confidential and it is the property of Howden Compressors, Inc. It shall not be disclosed to third parties or reproduced without the express, written authorization of Howden Compressors.

Unless otherwise specified, all dimensions are in inches.



Date: 8/8/95
 Drawn By: JC
 Scale: NTS

Howden Compressors
 Burton Corblin Compressors



Howden Compressors, Inc.
 835 Wheeler Way, Langhorne, PA USA
 Phone: (215) 702-7777; Fax: (215) 777-7787

Title
 PRELIMINARY P&I DIAGRAM
 NITROGEN AND N₂/HELIUM SERVICE

Drawing No. A00274-001-105A/B Sheet ___ of ___